

JVC

TV STAND RK-C28E1S RK-C32E1S

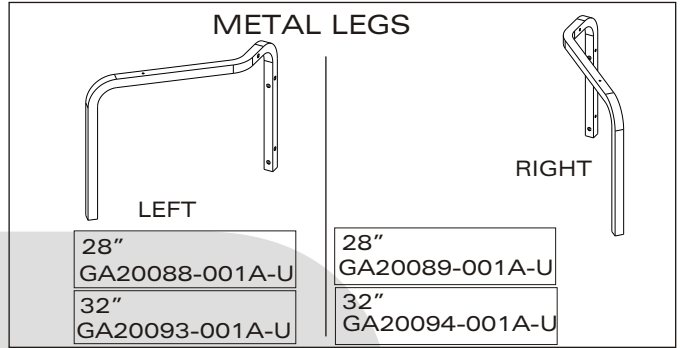
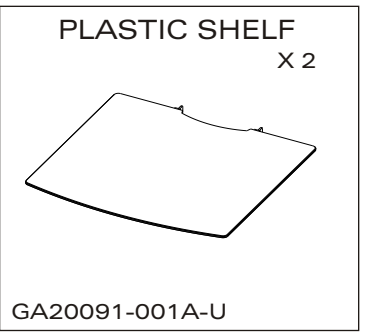
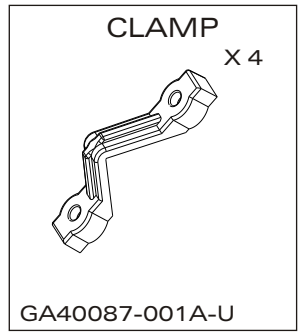
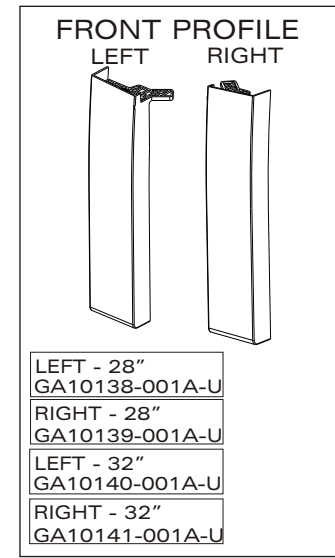
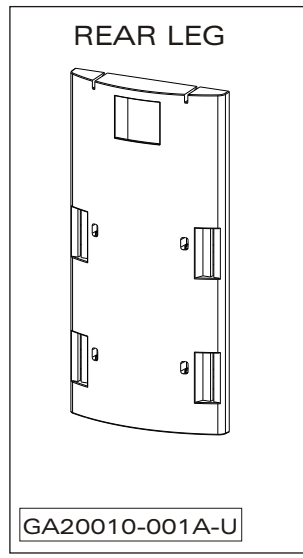
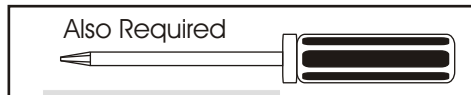
ASSEMBLY INSTRUCTIONS
(TO BE RETAINED BY CUSTOMER)

IMPORTANT NOTES

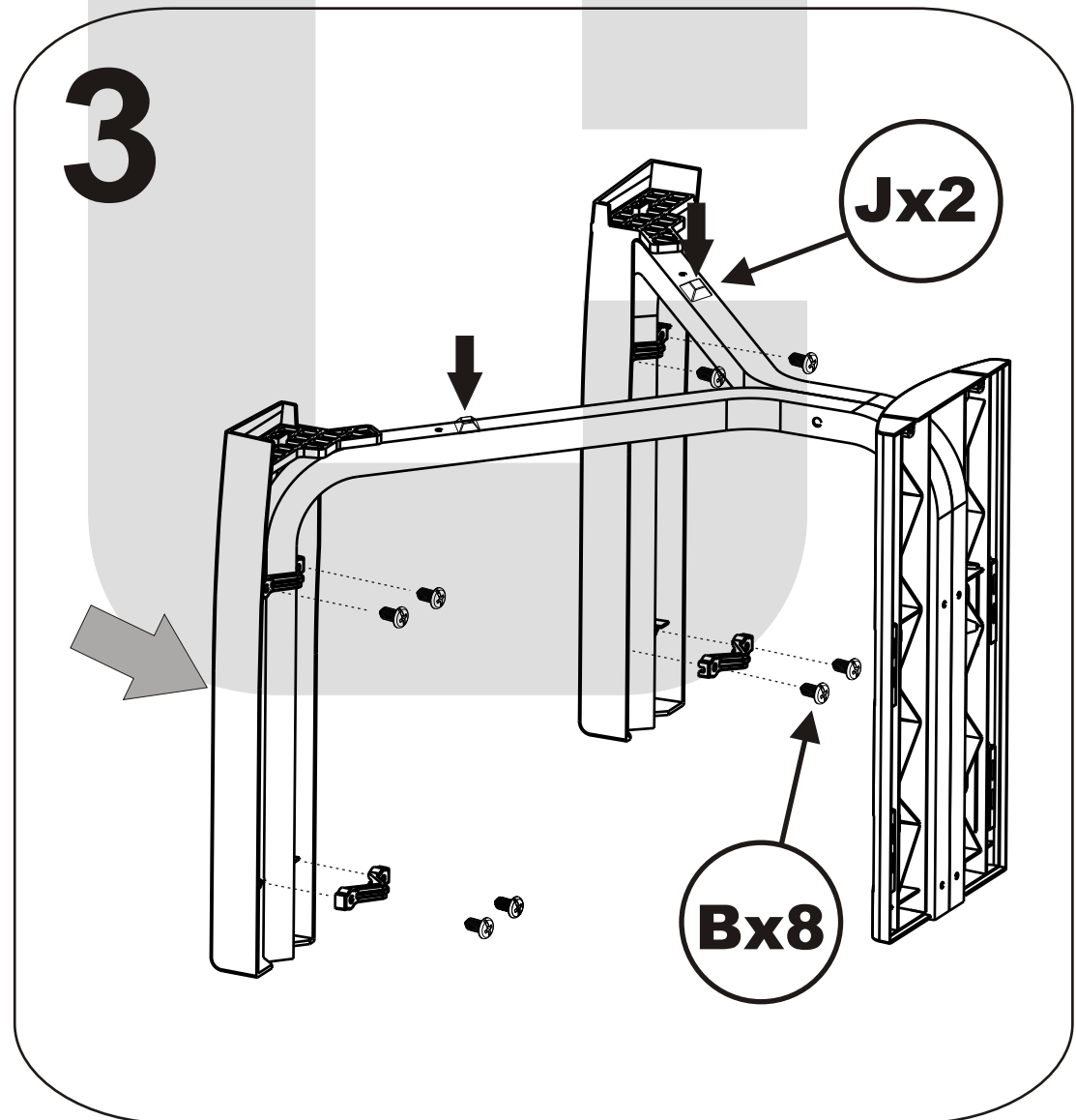
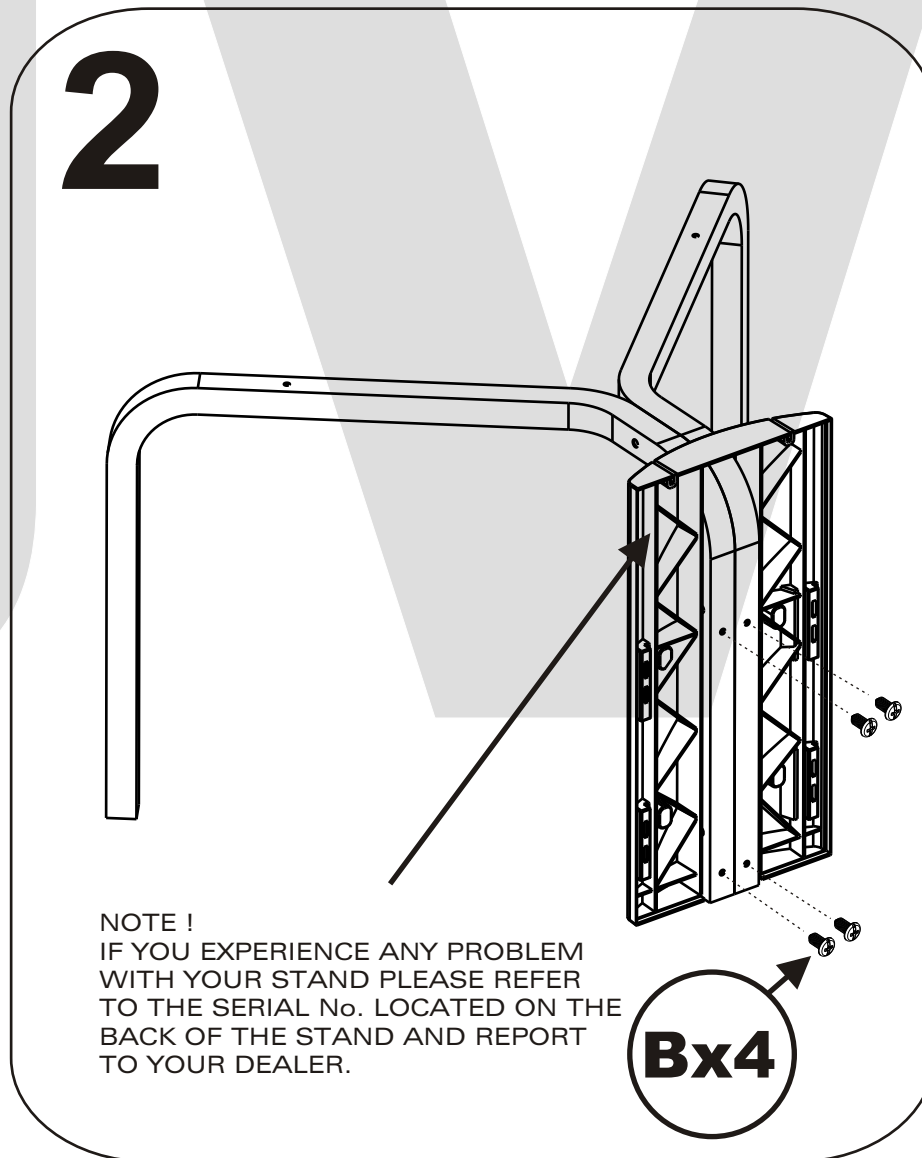
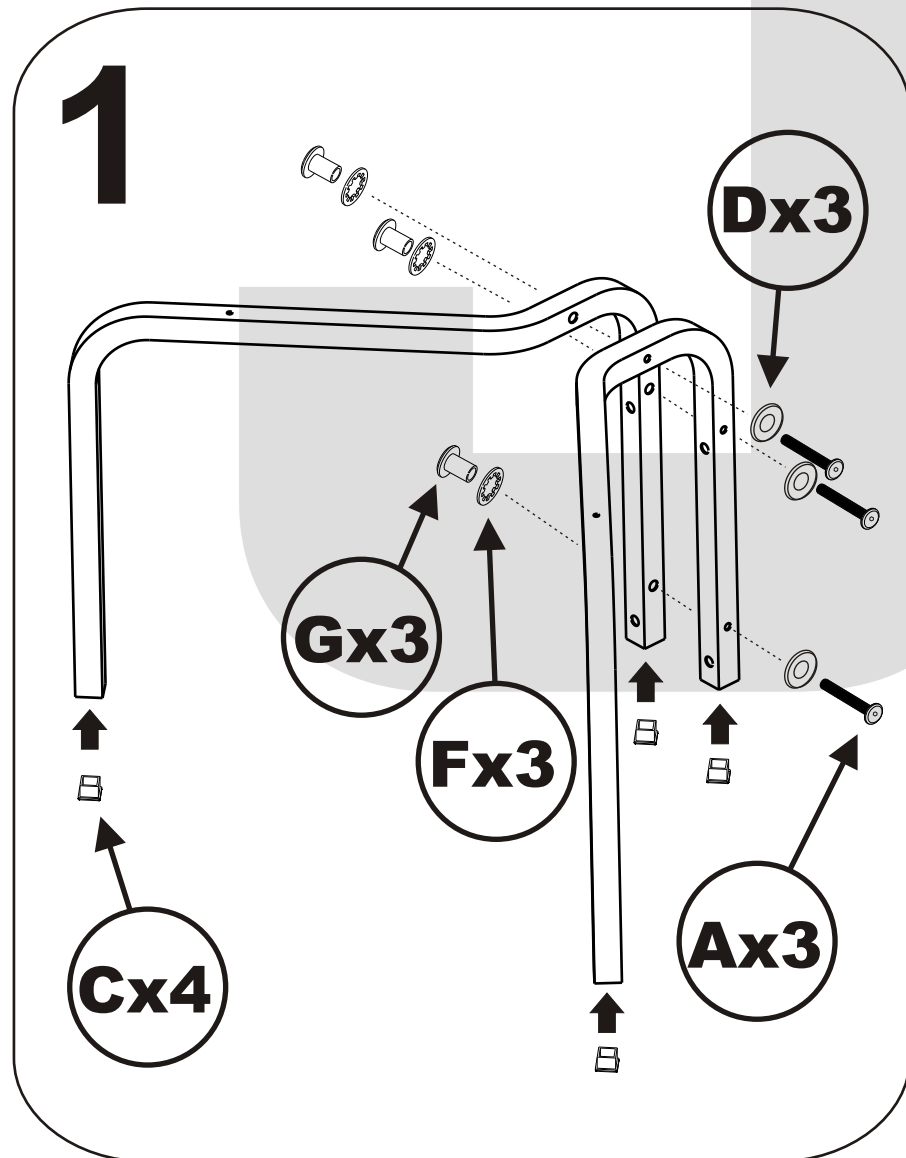
- THIS STAND MUST BE USED ONLY WITH THE TV WITH WHICH IT IS SUPPLIED
- DO NOT USE ANY SCREWS OTHER THAN THOSE PROVIDED
- DO NOT USE SOLVENTS FOR CLEANING THIS STAND. USE A DAMP CLOTH TO REMOVE ANY HANDLING OR PACKAGING MARKS
- DO NOT ATTEMPT TO MOVE THE ASSEMBLY WITH TV ATTACHED AS THIS MAY RESULT IN PERSONAL INJURY AND OR DAMAGE TO YOUR EQUIPMENT.

A		x3
B		x12
C		x4
D		x3

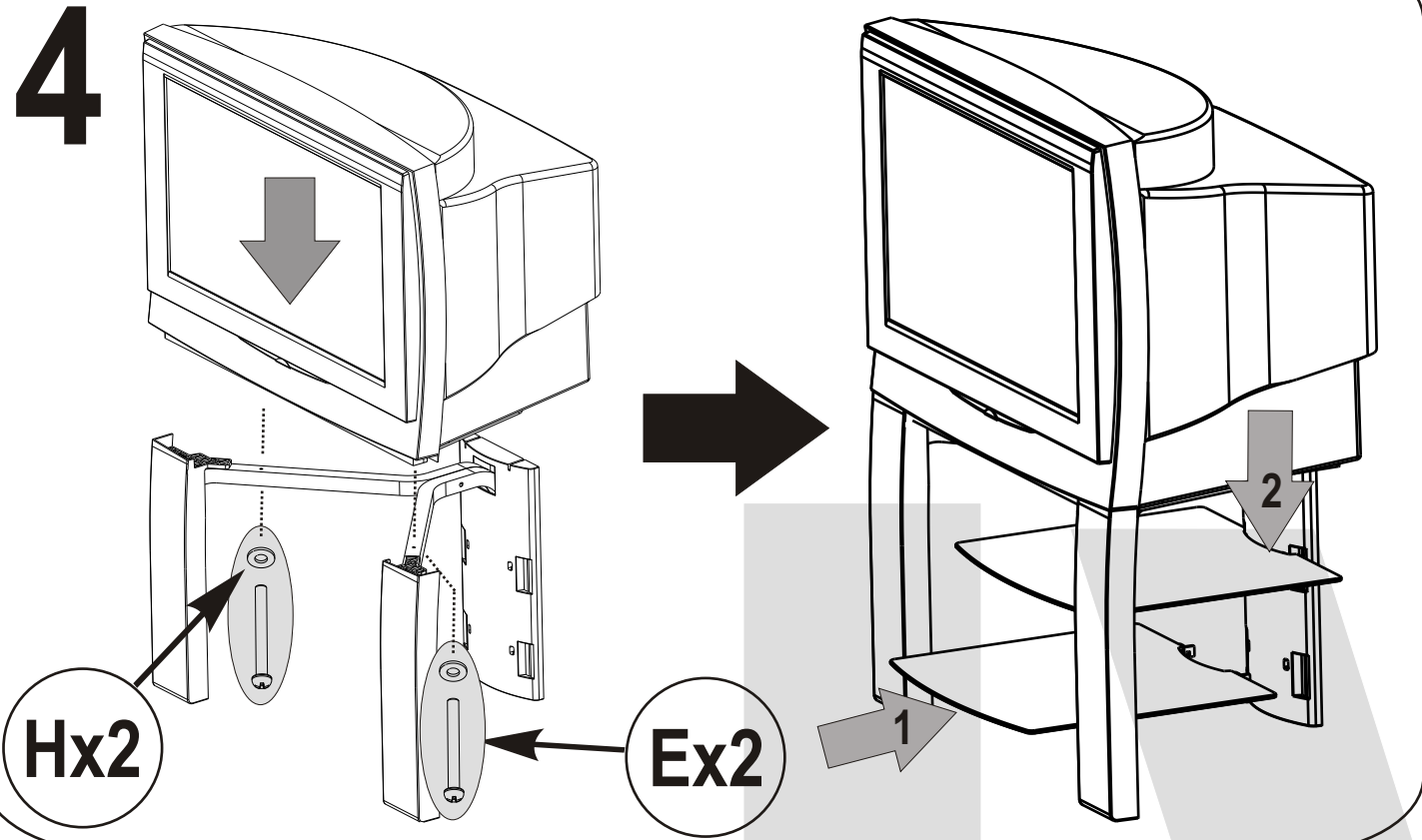
E		x2
F		x3
G		x3
H		x2
J		x2



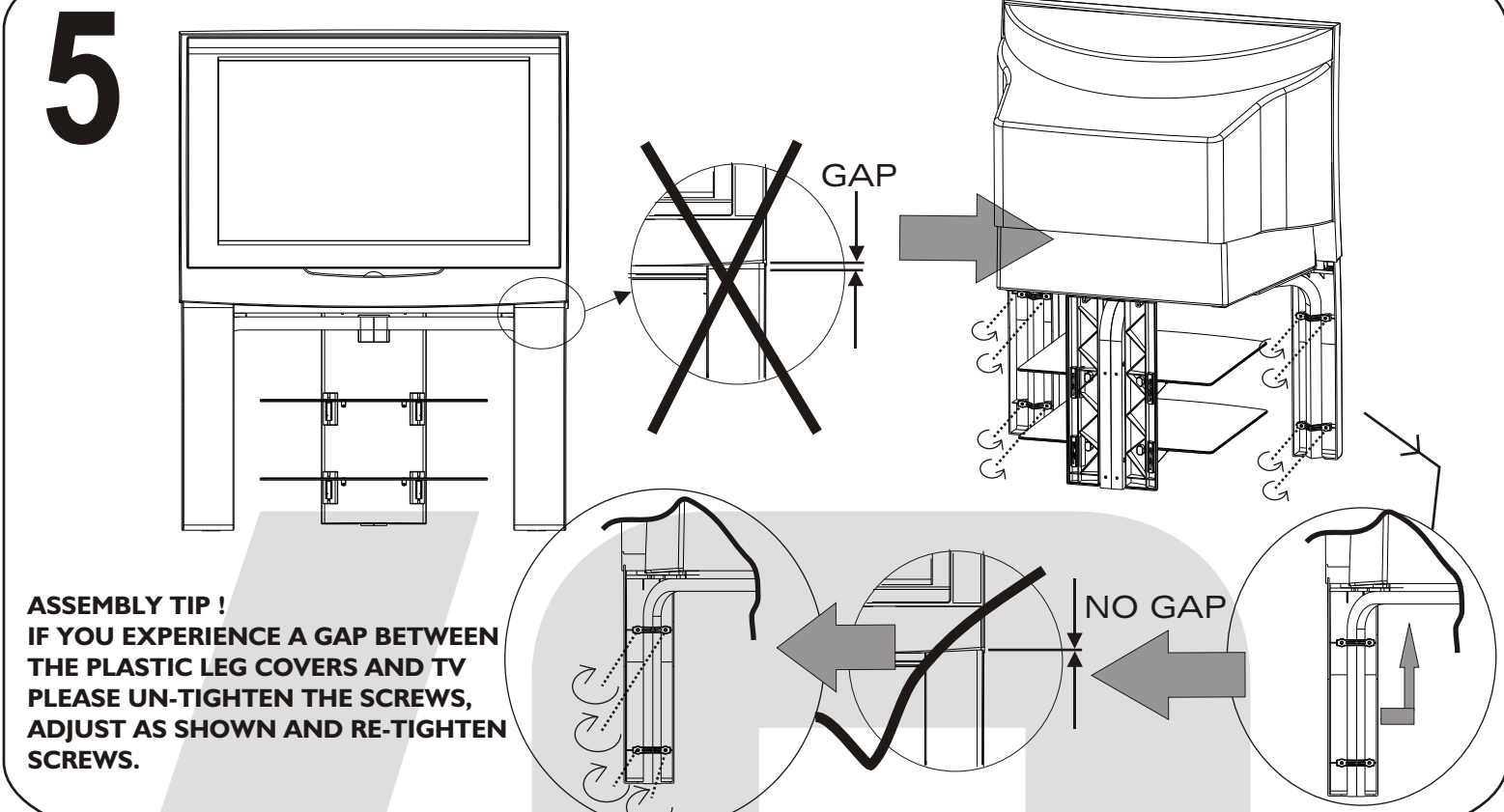
FIXING KIT - GA30096-001A-U



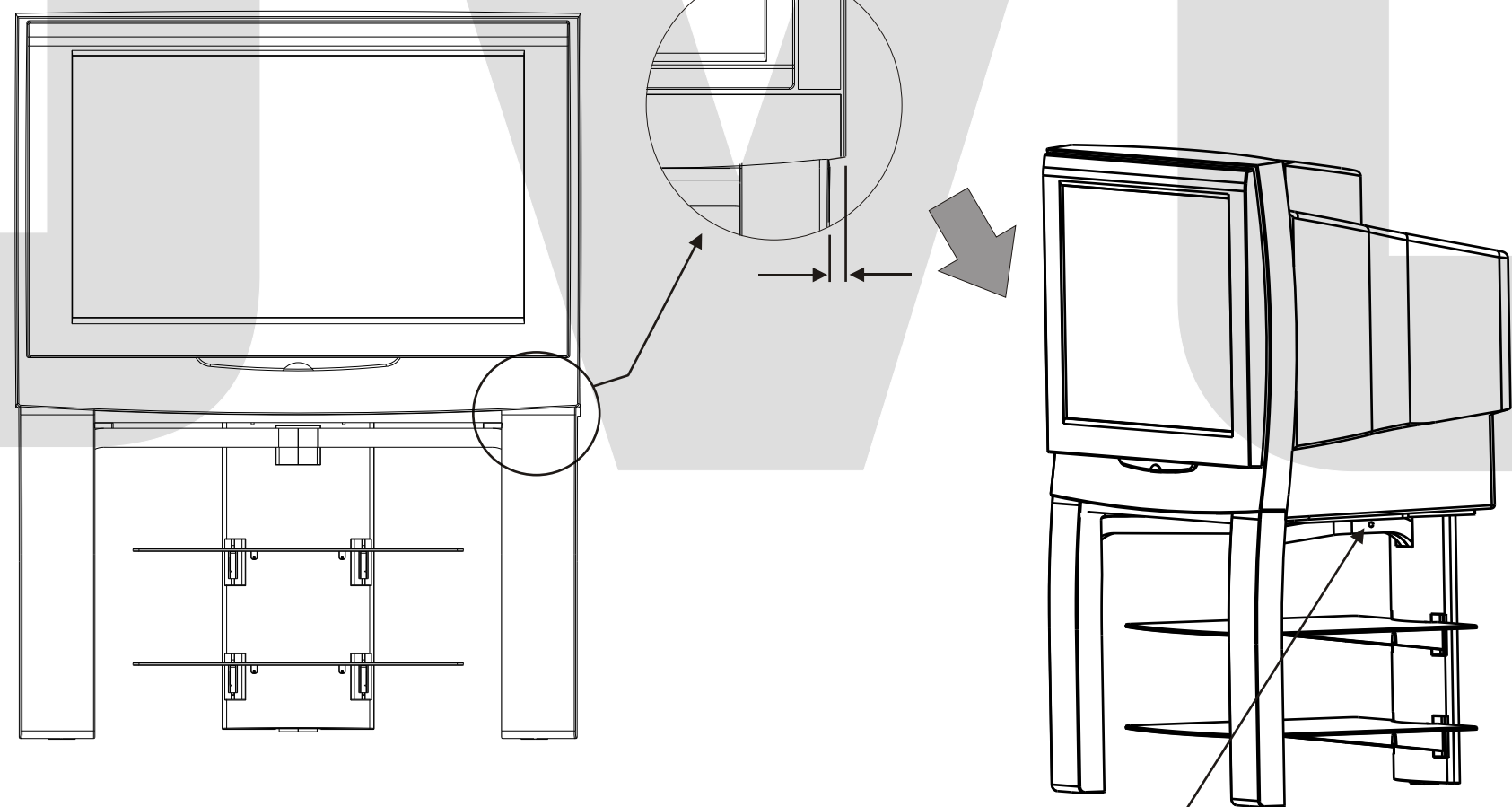
4



5



6



ASSEMBLY TIP !
 IF THERE IS EXCESSIVE OVERHANG OF THE TV AS SHOWN
 PLEASE ADJUST BY UN-SCREWING THIS SCREW UNTIL
 THE TV AND STAND LEGS ARE ALIGNED